

Custom folded 1.2mm aluminium flashing powder coated to match cladding and chased in to 15x6mm saw cut and sealed with flexible joint sealant (By others)

**BF001**  
Alibat fixed to concrete masonry @ 600 centers max

**NC247T + NC248**  
Termination flashing base and cap.

**NC 204**  
10g x 16mm csk Tek screw @ 600 centers

15mm profiled closed cell foam insert end caps to suit profile of cladding

**NC226**  
Impervious barrier (MDPE or similar) between batten & cladding

**NC204**  
10g Tek screw in to Alibat @ 600 centers

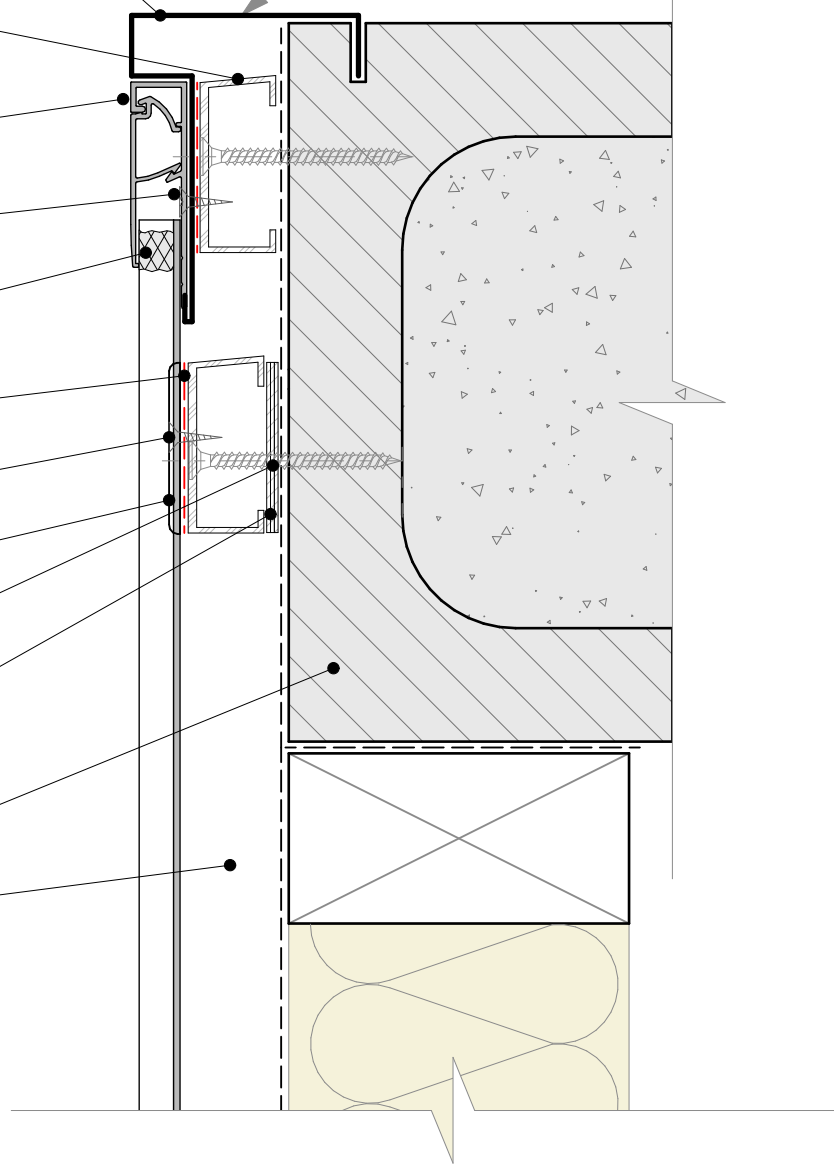
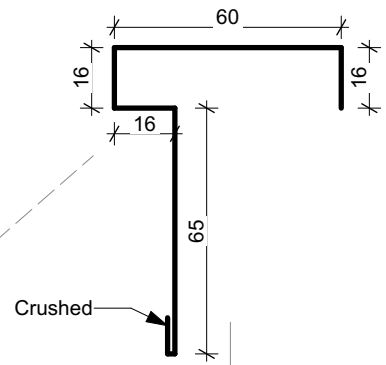
**NC203E**  
fixing clip @ 600 centers

Concrete masonry fasteners

**BF SPACER**  
1mm shims used, if required to level/plumb wall

Concrete masonry block wall

Drained and vented cavity as per E2/AS1



**General note:**

- Cladding fixings omitted for clarity
- When finishing a wall with a ripped board, the board must be direct fixed with a counter sunk screw @ 600mm centres

**Cavity batten note:**

- 20mm timber battens required for all Nu-Wall horizontal board installations
- Batten to have 15° slope for moisture egress
- Battens to all internal, external corners, jambs, and sills to be sized to 18mm to accommodate flashing build up
- 20 and 18mm single castellated battens are available directly from Nu Wall
- Proprietary Nu-Wall AliBat is available as an alternative when a structural non-combustible batten is required



Nu-Wall cladding horizontal on cavity  
Typical Nu-Wall to concrete masonry external corner

NW-HOC-037.03

Drawn by: Nu-Wall	Date: 19/9/2024
Checked by: RL, GT	Scale: 1:2 @ A4

© 2021 copyright in this document is the property of Nu-Wall Aluminium Cladding Limited. All rights reserved. Nu-Wall is a registered trademark of Aluminium Product Brands NZ Limited